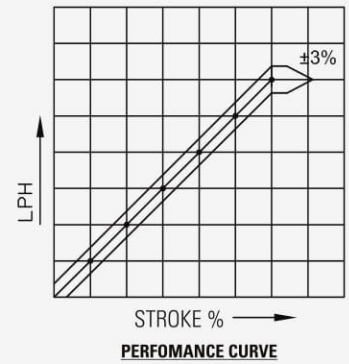




Model: VA-02 Electronic Dosing Pump



Material of Construction

Sr. No.	Parts	Material
01	Housing	GFPP
02	Liquid Head	PP/PTFE/SS304/SS316
03	NRV	PP/PTFE/SS304/SS316
04	NRV Ball	Ceramic/SS304/SS316
05	Diaphragm	Solid PTFE

Technical Details

Sr. No.	Model	VA 02
01	Type	Solenoid Operated Electronic Dosing Pump
02	Input Power Supply	230V, 50Hz, 1 Phase
03	Input Power Consumption	40 Watt
04	Flow Adjustment	By Manual Adjustable Speed SPM 0-240
05	Negative Suction	By Manual 1 mtr
06	End Connection	3/8" Hose Holder
07	Environment Temperature	45°C max.
08	Temperature Of Liquid Handled	50°C max
09	Shipping Weight	3.5 Kg

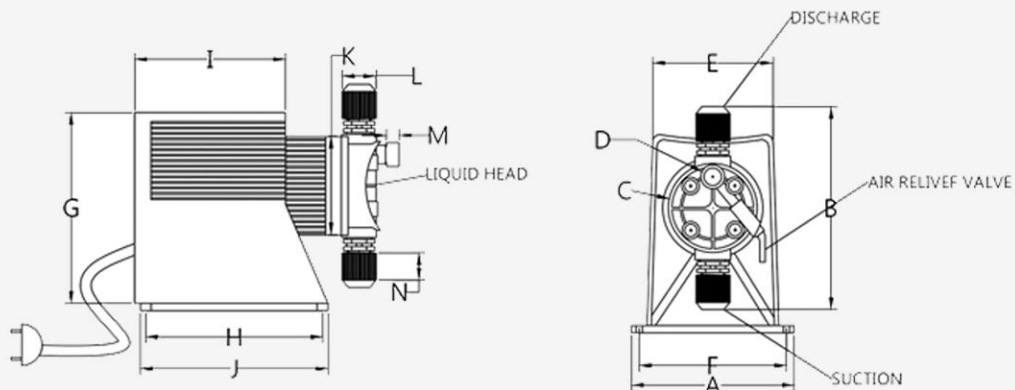
Standard Accessories

Sr. No.	Parts	MOC	Quantity
01	Suction & Discharge Piping	LDPE/PTFE	3 meter
02	Foot Valve Cum Strainer	PP	1
03	Antisiphoning valve	PP	1

Auto Dosing – Enabled to receive 4 to 20mA signal. Digital display of SPM

Flow Reading

Sr. No.	Speed SPM(%)	Pressure (Kg/Cm2)	Flow (Ltr/hr)
01	100	1	20
02	100	2	12
03	100	3	10.5
04	100	4	10



A	B	C	D	E	F	G	H	I	J	K	L	M	N
134.4	167.8	Ø73.4	Ø19.7	99.4	120.6	157.8	147.9	125.0	155.2	Ø81.5	Ø27.9	10.5	22.5